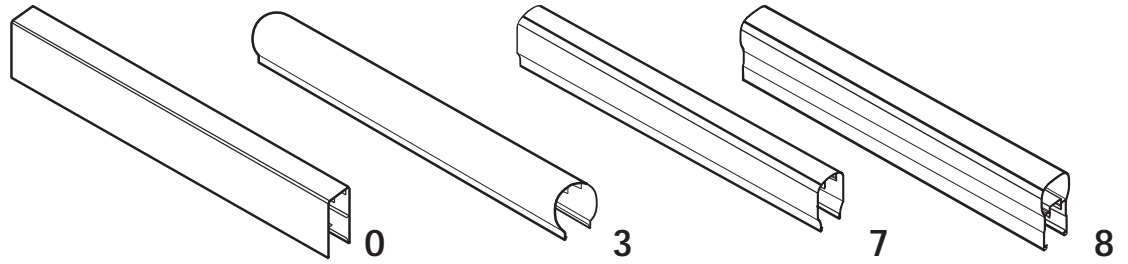


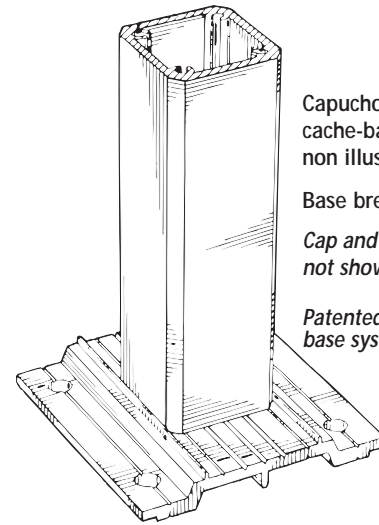
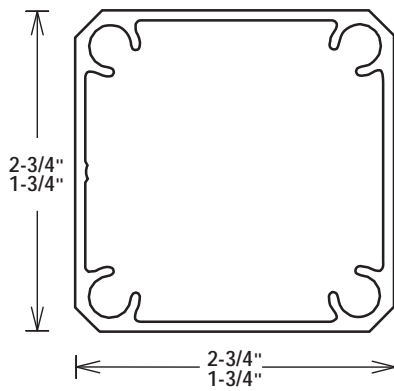
# Série/Series VERRE TREMPÉ

## SPÉCIFICATIONS / SPECIFICATIONS

### Mains courantes / Handrails



### Poteau / Post



Capuchon  
cache-base  
non illustrés.

Base brevetée.

Cap and base  
not shown

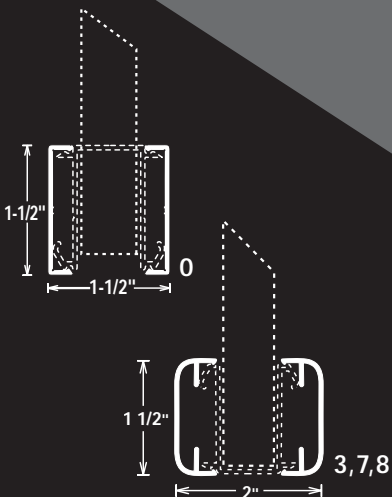
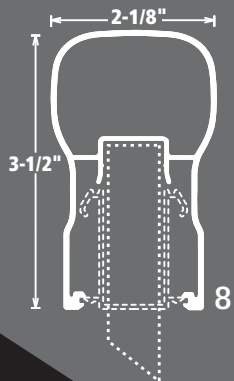
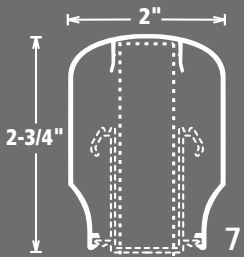
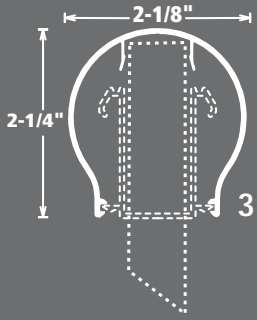
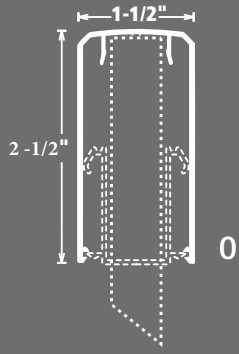
Patented  
base system.

### Verre / Glass

#### COULEURS / COLORS

6 mm

|                |              |                  |                 |
|----------------|--------------|------------------|-----------------|
| CLAIR<br>CLEAR | GRIS<br>GREY | BRONZE<br>BRONZE | Dépoli<br>Satin |
|----------------|--------------|------------------|-----------------|



Série/Series

**VT**



**VERRE TREMPÉ 6 mm**  
**6 mm TEMPERED GLASS**



**POTEAU / POST**  
No 300 2-3/4" x 2-3/4"  
No 200 1-3/4" x 1-3/4"



**MAIN COURANTE No 0**  
**HANDRAIL**  
1-1/2" x 2-1/2"



**MAIN COURANTE No 3**  
**HANDRAIL**  
2-1/8" x 2-1/4"



**MAIN COURANTE No 7**  
**HANDRAIL**  
2" x 2-3/4"



**MAIN COURANTE No 8**  
**HANDRAIL**  
2-1/8" x 3-1/2"

**GARDE-CORPS / RAILINGS**

| <b>COULEURS / COLORS</b>                                   | <b>BLANC<br/>WHITE</b> | <b>NOIR<br/>BLACK</b> |  | <b>BRUN AUTOMNE<br/>AUTUMN BROWN</b> | <b>BRUN COMMERCIAL<br/>COMMERCIAL BROWN</b> | <b>ARGILE<br/>CLAY</b> |
|--|------------------------|-----------------------|--|--------------------------------------|---|------------------------|
| <b>Poteau / Post</b><br><b>Mains courantes / Handrails</b> | ■<br>0-3-7-8           | ■<br>0-3-7-8          |  | ■<br>0-7                             | ■<br>0-3-7                                  | ■<br>0-3-7             |