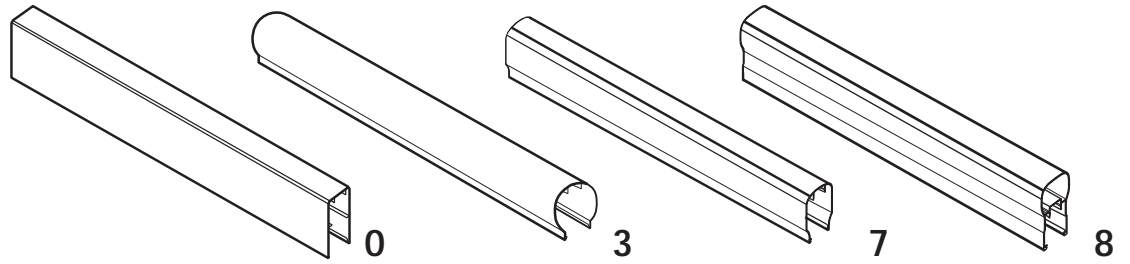


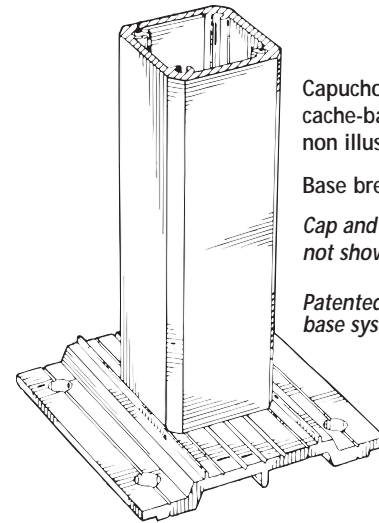
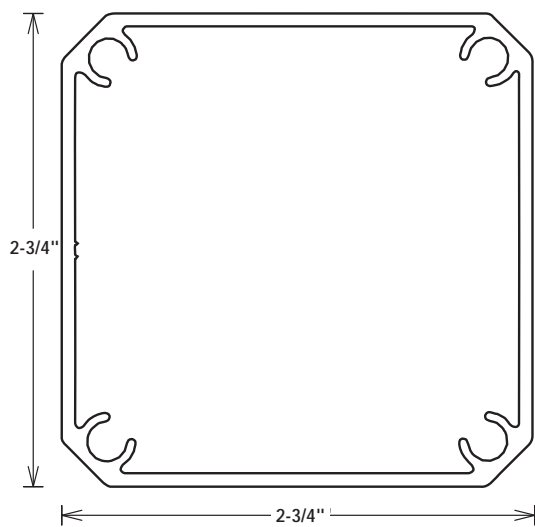
# Série/Series 300

## SPÉCIFICATIONS / SPECIFICATIONS

### Mains courantes / Handrails



### Poteau / Post



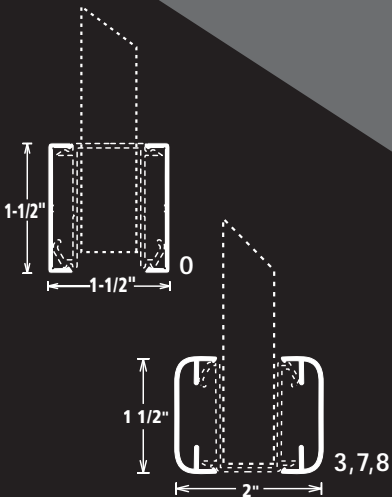
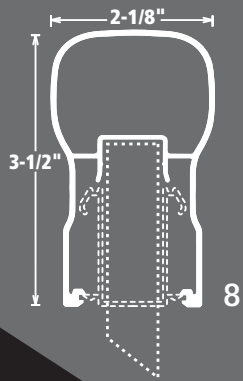
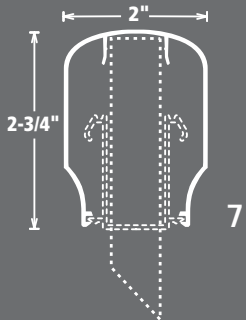
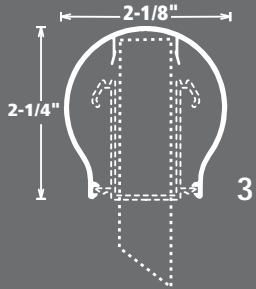
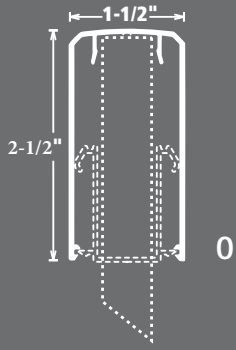
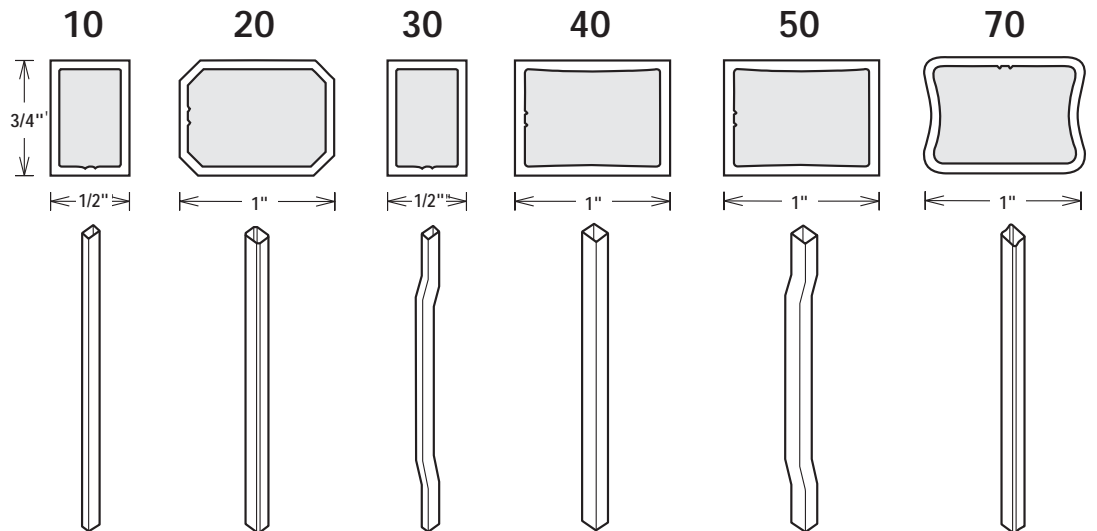
Capuchon  
cache-base  
non illustrés.

Base brevetée.

Cap and base  
not shown

Patented  
base system.

### Barreaux / Spindles



# Série / Series 300



Disponible en double traverse  
Available as double rail



GARDE-CORPS / RAILINGS



**MAIN COURANTE No 0  
HANDRAIL**  
1-1/2" x 2-1/2"



**MAIN COURANTE No 3  
HANDRAIL**  
2-1/8" x 2-1/4"



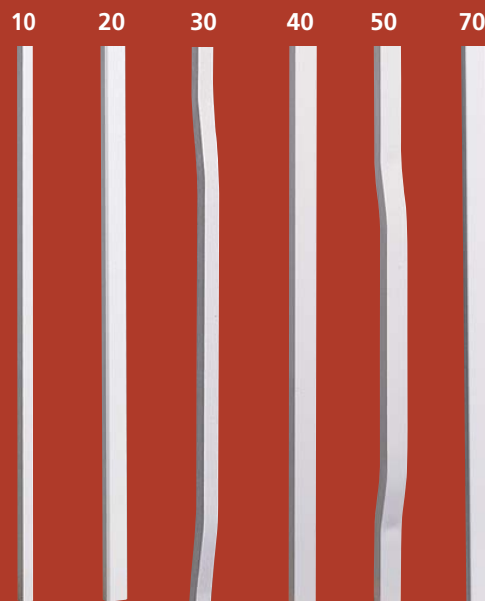
**MAIN COURANTE No 7  
HANDRAIL**  
2" x 2-3/4"



**MAIN COURANTE No 8  
HANDRAIL**  
2-1/8" x 3-1/2"

**BARREAUX / SPINDLES**

**POTEAU / POST**  
2-3/4" x 2-3/4"



1/2" x 3/4"   1" x 3/4"   1/2" x 3/4"   1" x 3/4"   1" x 3/4"   1" x 3/4"

COULEURS / COLORS	BLANC WHITE	NOIR BLACK		BRUN AUTOMNE AUTUMN BROWN	BRUN COMMERCIAL COMMERCIAL BROWN	ARGILE CLAY
Poteau / Post	■	■		■	■	■
Barreaux / Spindles	10-20-30-40-50-70	10-20-30		10-20-30	10-20-30	10-20-30-70
Mains courantes / Handrails	0-3-7-8	0-3-7-8		0-7	0-3-7	0-3-7