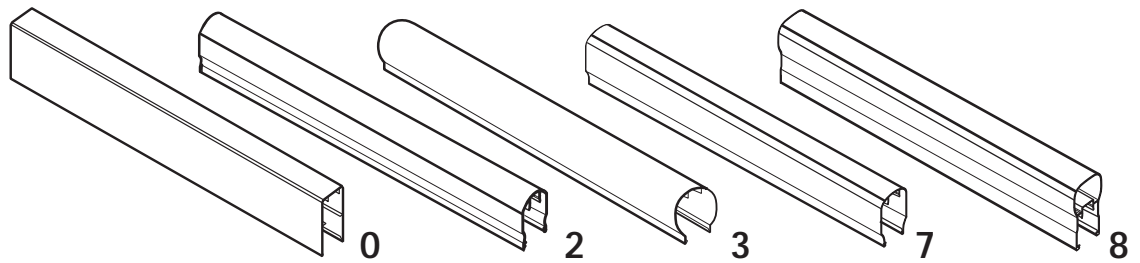


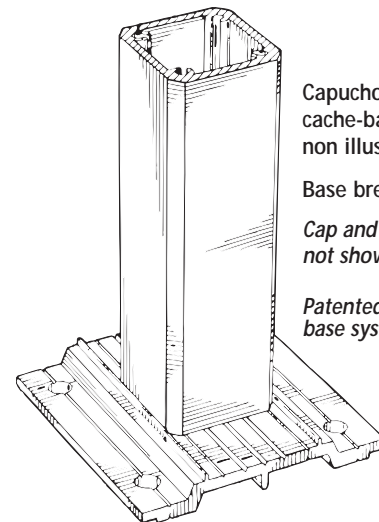
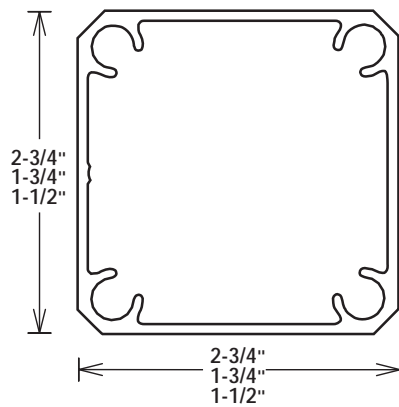
Série/Series **SÉVILLE**

SPÉCIFICATIONS / SPECIFICATIONS

Mains courantes / Handrails



Poteau / Post



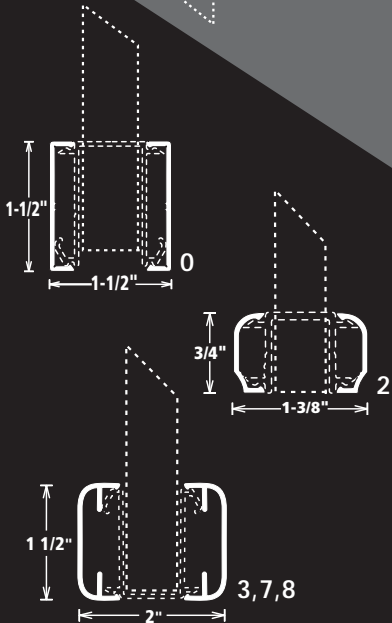
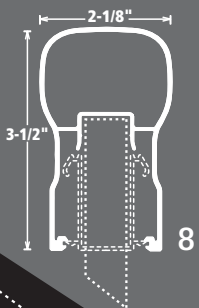
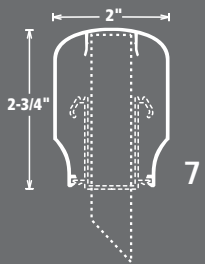
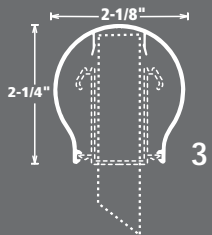
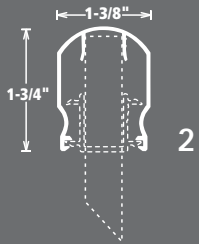
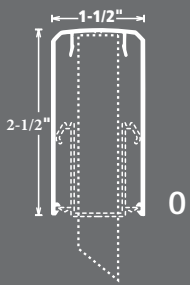
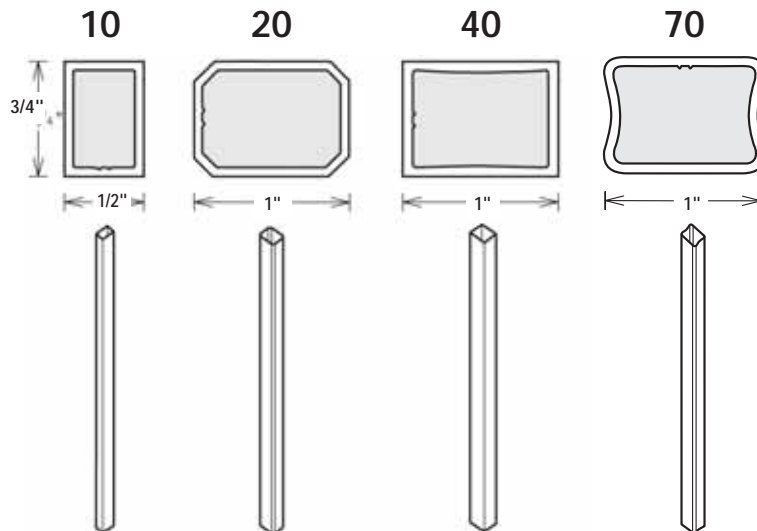
Capuchon
cache-base
non illustrés.

Base brevetée.

Cap and base
not shown

Patented
base system.

Barreaux / Spindles



Série/Series

SÉVILLE

GARDE-CORPS / RAILINGS



**MAIN COURANTE No 0
HANDRAIL**
1-1/2" x 2-1/2"

POTEAU / POST
No 300 2-3/4" x 2-3/4"
No 200 1-3/4" x 1-3/4"
No 100 1-1/2" x 1-1/2"



**MAIN COURANTE No 2
HANDRAIL**
1-3/8" x 1-3/4"

BARREAUX / SPINDLES

10 20 40 70



1/2" x 3/4" 1" x 3/4" 1" x 3/4" 1" x 3/4"



**MAIN COURANTE No 3
HANDRAIL**
2-1/8" x 2-1/4"



**MAIN COURANTE No 7
HANDRAIL**
2" x 2-3/4"



**MAIN COURANTE No 8
HANDRAIL**
2-1/8" x 3-1/2"

COULEURS / COLORS	BLANC WHITE	NOIR BLACK	ARGILE CLAY
Poteau / Post	100-200-300	200-300	200-300
Barreaux / Spindles	10-20-40-70	10-20	10-20-70
Mains courantes / Handrails	0-2-3-7-8	0-2-3	0-2-7